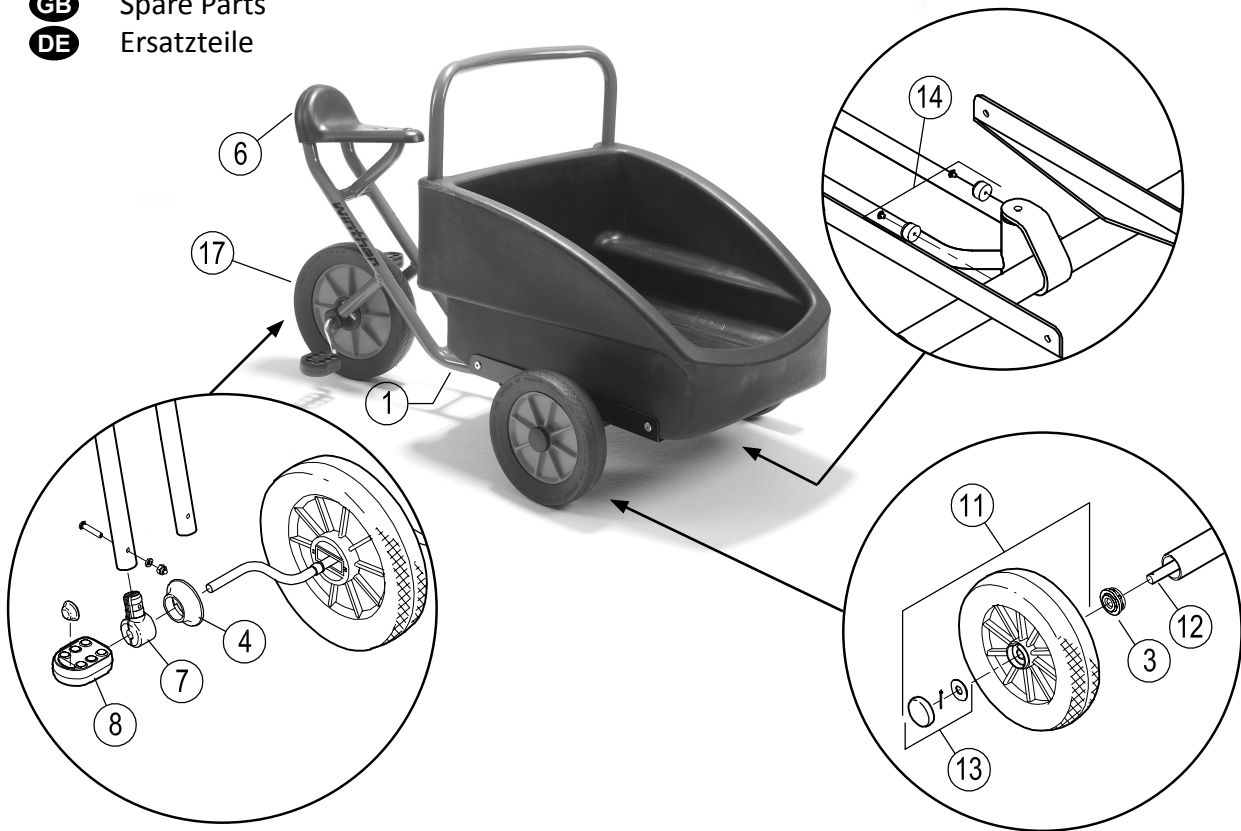


- DK** Reservedele
- GB** Spare Parts
- DE** Ersatzteile

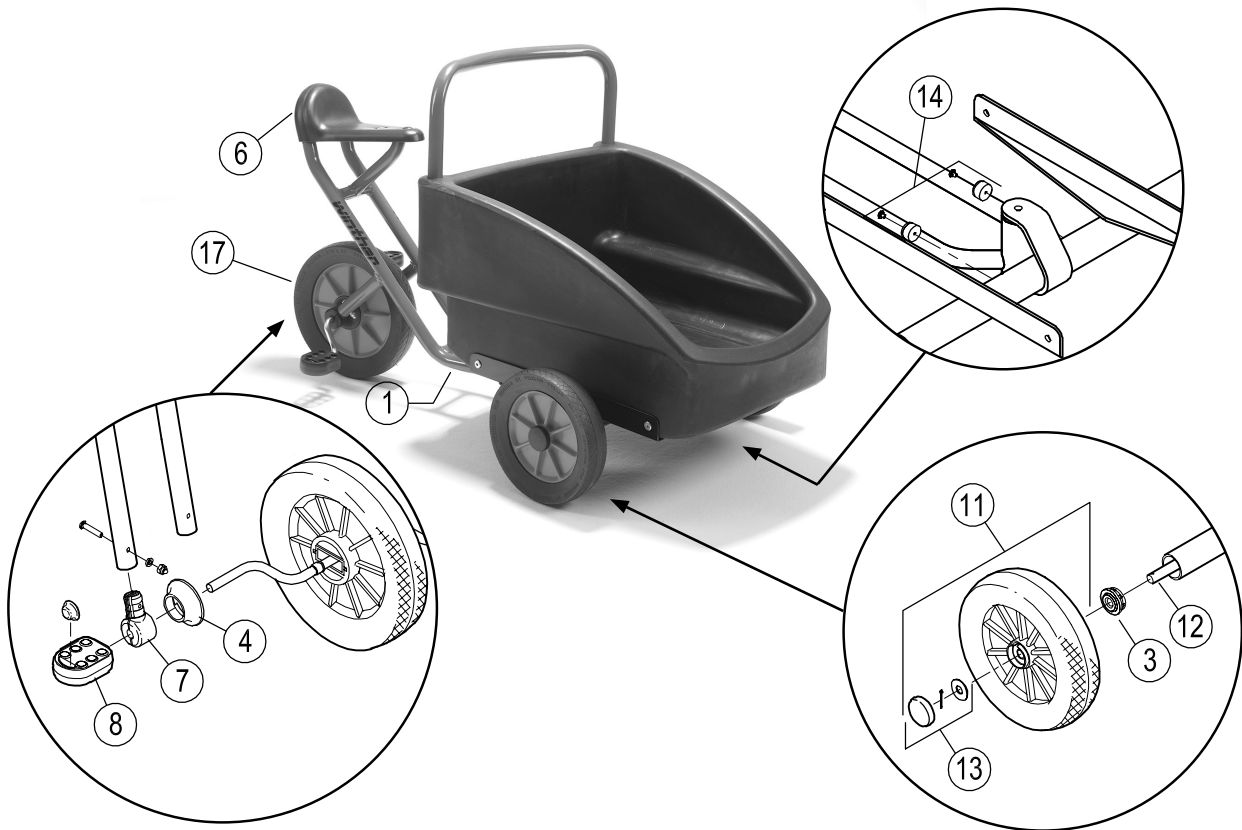


| Pos. |          | Pos. |                | Pos. |          |
|------|----------|------|----------------|------|----------|
| 1    | x1 x2 x1 | 7    | x2 x2 x2 x2 x1 | 13   | x4 x2 x2 |
| 2    |          | 8    | x2 x2          | 14   | x2 x2    |
| 3    | x2       | 9    |                | 15   |          |
| 4    | x2       | 10   |                | 16   |          |
| 5    |          | 11   | x2 x2          | 17   | x2       |
| 6    | x1       | 12   | x1             | 18   |          |

# 496



- DK** Reservedele
- GB** Spare Parts
- DE** Ersatzteile



| 496.00  |       |  |  |  |
|---------|-------|--|--|--|
| Version |       |  |  |  |
| Pos.    | 2.0   |  |  |  |
| 1       | 50501 |  |  |  |
| 2       | -     |  |  |  |
| 3       | 50504 |  |  |  |
| 4       | 50505 |  |  |  |
| 5       | -     |  |  |  |
| 6       | 50580 |  |  |  |
| 7       | 50509 |  |  |  |
| 8       | 50510 |  |  |  |
| 9       | -     |  |  |  |
| 10      | -     |  |  |  |
| 11      | 50571 |  |  |  |
| 12      | 50660 |  |  |  |
| 13      | 50520 |  |  |  |
| 14      | 50531 |  |  |  |
| 15      | -     |  |  |  |
| 16      | -     |  |  |  |
| 17      | 50572 |  |  |  |
| 18      | -     |  |  |  |